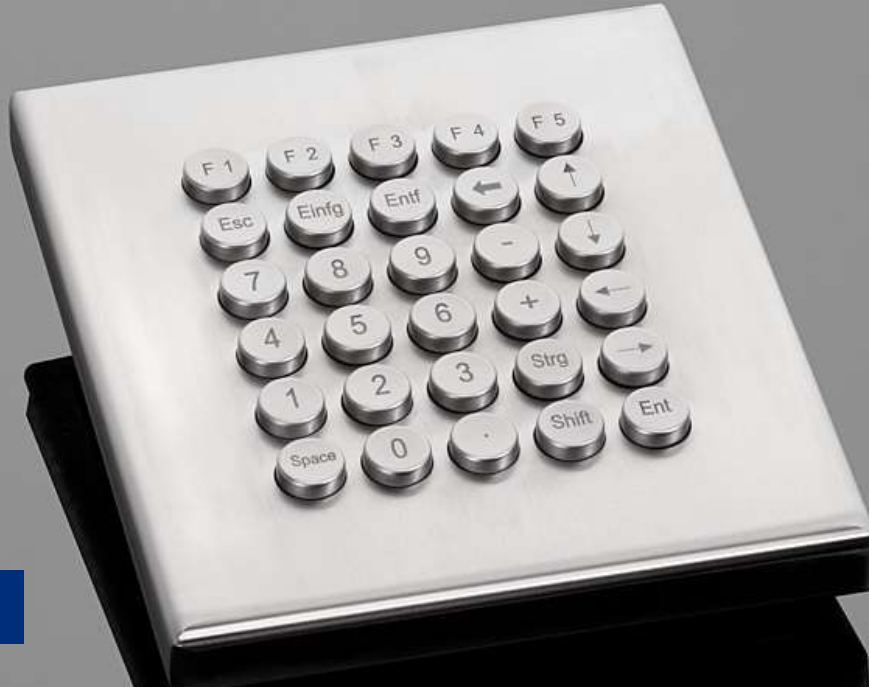


## 30T-ES GEH



### Features

- All keys are completely freely programmable (data strings with up to 16/32 digits possible)
- Predestined for public surroundings (vandalism risk), industrial extreme surroundings
- Carbon contact technology
- High operating comfort thanks to our specially developed long-stroke keys
- Keycaps and housing made of stainless steel
- Almost resistant to the effects of violence
- Key symbols are done by laser etching
- Any country variant is possible
- Any customer-specific adaptations can be implemented on request
- Also available without housing and with other number of keys

### Mechanical Data

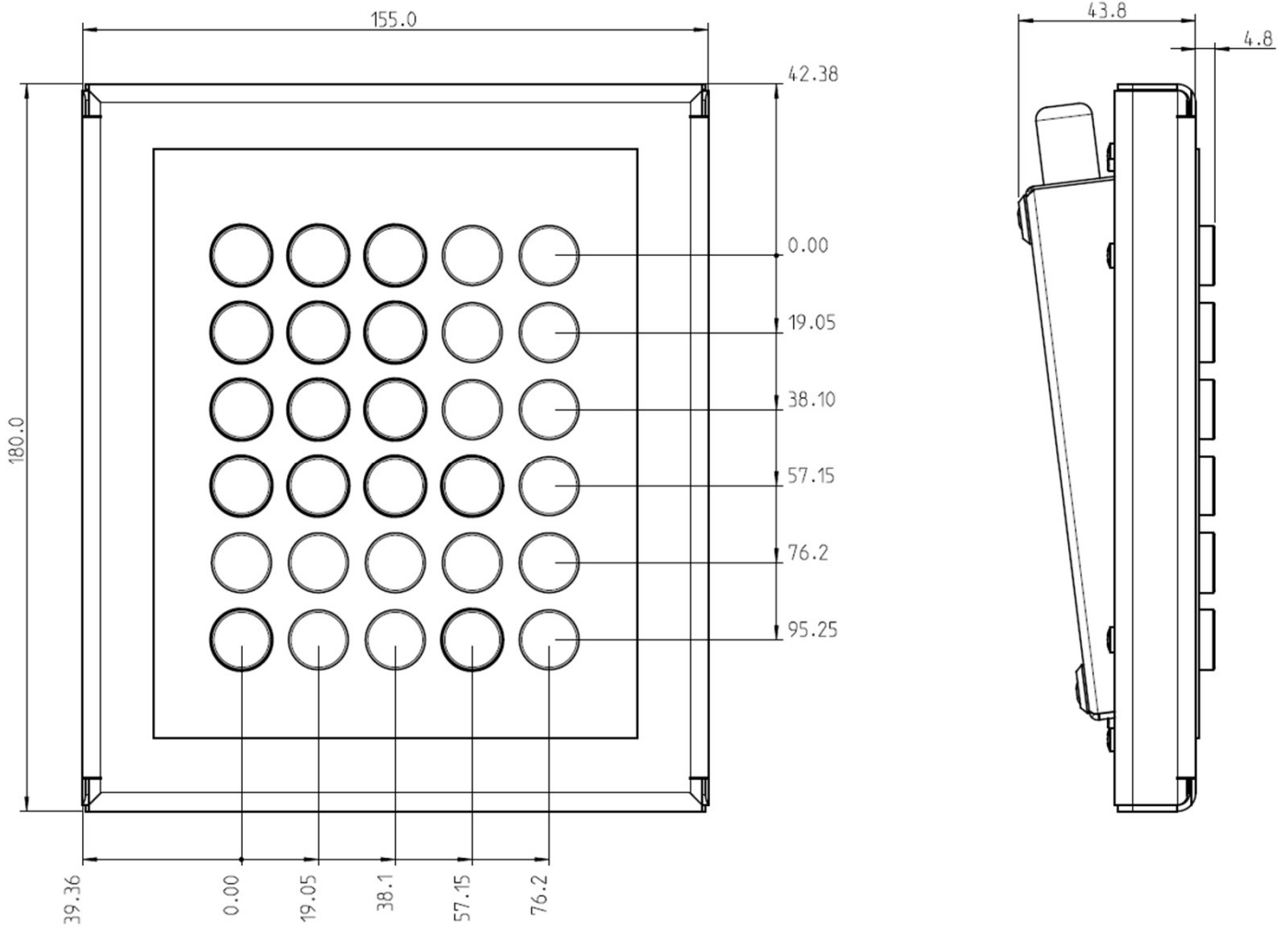
- Dimensions of 180 x 155 x 49 mm
  - 3,25 mm travel keys with tactile feel
  - Operation force 0,65 N
  - 30 keys in compact layout
  - Ergonomic 15 mm keycaps
  - Durability > 10 million ops.
  - Storage temperature -40°C - +80°C
  - Operation temperature -30°C - +60°C
- Protection IP65, IK09

### Electrical Data

- Connection options: USB 2.0
- Power supply + 5 V/DC, 50 mA
- CE Compliant
- RoHS/Reach Compliant

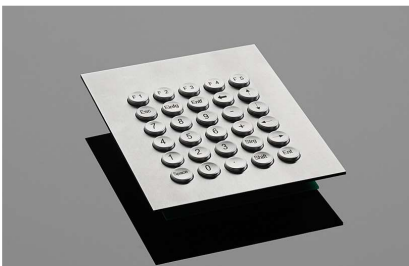


# Drawing



# Variants

Here is a selection of similar keypads. Are you interested in any of the following solutions? Just get in touch with us.



30T-ES



30T-ES Special Layout



Backlit 12T-ES-HL



+49 7738 80241-0 ▶

support@printecds.com ▶

www.printecds.com ▶