



ES-TB-3T

## Features

- Predestined for public surroundings (vandalism risk), industrial extreme surroundings
- Carbon contact technology
- High operating comfort thanks to our specially developed long-stroke keys
- Trackball, keycaps and front panel made of stainless steel
- Mounting angle up to 45°
- Almost resistant to the effects of violence
- Key symbols are done by laser etching
- Customized symbols possible
- Any customer-specific adaptations can be implemented on request
- Also available with without front panel, with ATK-keys or integrated in our keyboards

## Mechanical Data

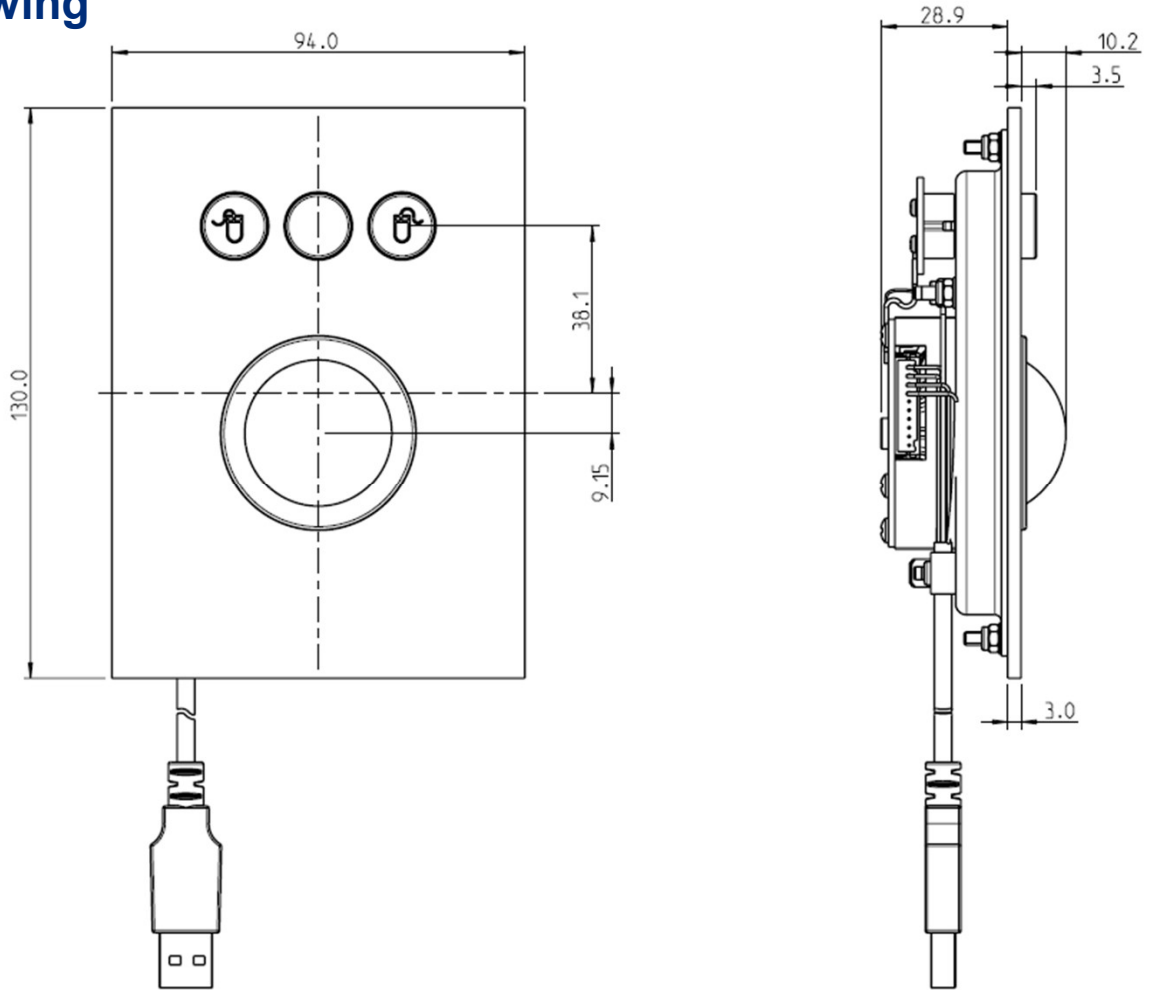
- Dimensions of 130 x 94 x 42 mm
- 3,25 mm travel keys with tactile feel
- Operation force 0,65 N
- 3 keys for mouse functions
- Ergonomic 15 mm keycaps
- Durability > 2 million turns
- Storage temperature -40°C - +80°C
- Operation temperature -30°C - +60°C
- Protection IP65 (static)

## Electrical Data

- Connection options: USB 2.0
- Power supply + 5 V/DC, 50 mA
- Power consumption max. 5mA
- CE Compliant
- RoHS/Reach Compliant

  
control touch trust

## Drawing



## Variants

We offer this keyboard in different variants. Are you interested in any of the following solutions? Just get in touch with us.



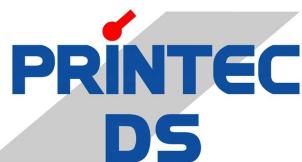
ES-TB-2T EBV



ES-TB-3T-ATK



ES-TB-3T with Black TB



+49 7738 80241-0 ▶

support@printecds.com ▶

www.printecds.com ▶